

Model 73 High Power Fixed Coaxial Attenuator

dc to 8.5 GHz
100 Watts

RoHS

Type N Connectors



Features

- /// **Compact Construction** - Lowest size/power ratio.
- /// **Quality connectors with special high temperature support beads.**
- /// **Designed to meet environmental requirements of MIL-A-3933.**

Specifications

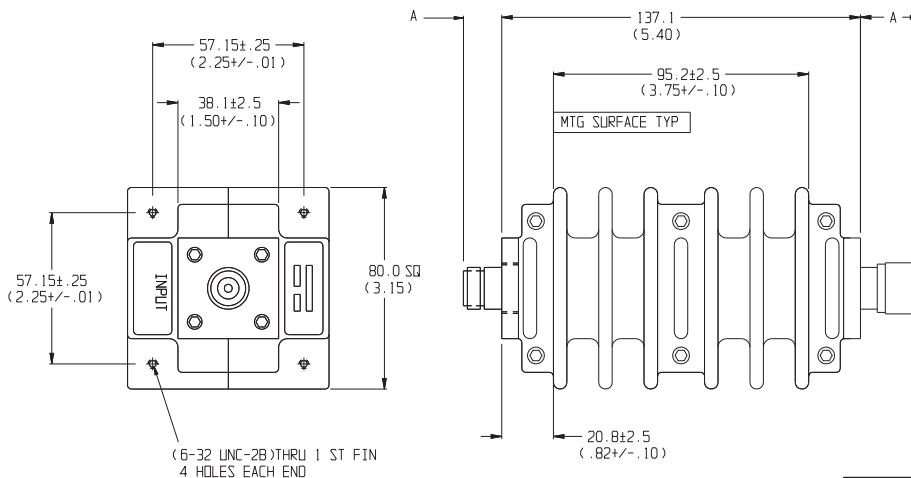
NOMINAL IMPEDANCE: 50 Ω

FREQUENCY RANGE: dc to 8.5 GHz

MAXIMUM DEVIATION OVER FREQUENCY:		
Nominal ATTN (dB)	Deviation (dB)	
	dc-4 GHz	4 - 8.5 GHz
3, 6, 10, 20, 30	± 0.75	± 0.75
40	± 0.50	± 1.00

MAXIMUM SWR:	
Frequency (GHz)	SWR
dc - 4	1.25
4 - 8.5	1.35

PHYSICAL DIMENSIONS:



NOTE:

- All dimensions are given in mm (inches) and are maximum, unless otherwise specified.
- Unit available with RoHS compliant materials, specify when ordering.

POWER RATING (mounted horizontally with fins vertical): 100 watts **average** (unidirectional) to 35°C ambient temperature, derated linearly to 10 watts @ 125°C. Note: 3 dB model can handle 200 Watts **average** (unidirectional). 5 kilowatt **peak** (5 μsec pulse width; 1.0% duty cycle). Maximum power rating into output port is 20 watts average.

POWER COEFFICIENT: <0.0003 dB/dB/watt

TEMPERATURE COEFFICIENT: <0.0004 dB/dB/°C

TEMPERATURE RANGE: -55°C to 125°C

TEST DATA: Insertion loss test data supplied at 0.05, 4.0, and 8.5 GHz. Other test data can be provided at additional cost.

CONNECTORS: Type N connectors per MIL-STD-348 interface dimensions - mate nondestructively with MIL-C-39012 connectors.

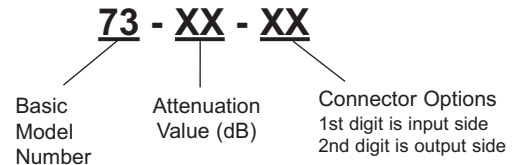
Connector Options	Type/Description
3	Type N, Female
4	Type N, Male

CONSTRUCTION: Aluminum alloy body, stainless steel connectors; gold plated beryllium copper contacts.

WEIGHT: 1130 g (2 lbs, 8 oz.) maximum

MODEL NUMBER DESCRIPTION:

Example:



Connector	DIM A
N Male	22.9 (0.90)
N Female	15.0 (0.59)