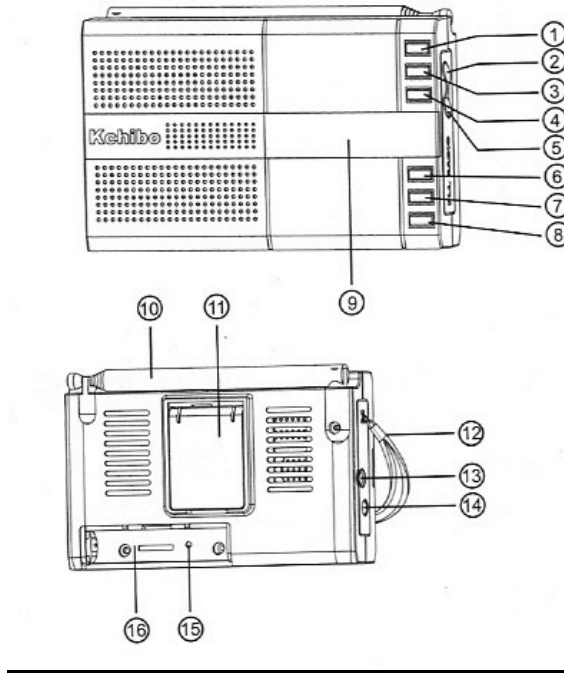


KK-C38 Operating Instructions

Illustration :



1. Power ON/OFF / SLEEP	8. BAND / TIME SET
2. UP Frequency Search	9. LCD screen
3. MEMORY	10. Antenna
4. NEXT/ AL ON	11. Supporting rack
5. DOWN Frequency Search	12. Hand strap
6. + Volume	13. Earphone jack
7. - Volume	14. 3V D.C. jack
	15. Reset
	16. Battery Compartment

Battery Installation :

1. Please install 2AAA batteries.
2. Please replace batteries when you see the low battery indicator.
3. Please replace your batteries within 30 seconds, otherwise all memory will be lost.

Operations :

Power :

Press the Power ON/OFF button (1) to switch on or off the radio.

Volume Control :

1. Electronic volume control is used.
2. Press + (6) to increase or – (7) to reduce the volume.

Band Select

Press BAND/TIME SET button (8) to switch between FM, FM 1 and AM.

Manual Search :

Press UP (2) or DOWN (5) until you locate the station.

Auto Search :

Long press UP(2) or DOWN(5) until it stops at the next station . You may stop the searching process anytime by pressing the (2) or (5)

Earphone/ Speaker change over :

Change over earphone or speaker by switch (16).

Tuning step :

FM : 0.1MHz each time you press the UP or DOWN button.

AM : 9KHz each time you press the UP or DOWN button.

Memory Preset :

1. Use auto or manual search to locate the station.
2. Press the MEMORY button (3) , the LCD indicator “MEM” will blink.
3. Within 5 seconds , press NEXT (4) to search any free channel. Press MEMORY button again to store the station.

Memory Recall :

1. Select the band by BAND button (8)
2. Press NEXT button (4) to select the right stations.

Earphones :

Plug into earphones to listen to the radio. The signal to speaker will cut off.

Night light :

The night light will turn on for few seconds whenever any button is pressed.

Reset :

Press the reset key (15) if the radio does not operate properly.

Use of Antenna :

1. MW : The built-in magnetic antenna inside the radio is used. Rotate body to get best reception.
(Picture 1 on p.13)
2. FM : Extend the antenna. Try different position to get the best reception (Picture 2)

Time setting

Clock :

1. Press the BAND/TIME SET button (8) once , the hour will blink. Press the UP (2) or DOWN (5) to set the hour.
2. Press the BAND/TIME SET button (8) twice , the min will blink. Press the UP (2) or DOWN (5) to set the minute.

Alarm Time :

1. Press the BAND/TIME SET button (8) three times , and alarm icon appears and the hour will blink.
Press the UP (2) or DOWN (5) to set the hour.
2. Press the BAND/TIME SET button (8) four times , the min will blink. Press the UP (2) or DOWN (5) to set the minute.

Alarm :

1. Press the NEXT/AL ON (4) to turn on the alarm function.
2. The radio will turn on at the preset time. The radio will turn off after 2 hours operation.

Sleep Auto-Shut off :

1. Under the clock mode , long press POWER/SLEEP button (1) until the “SLEEP” and “90” appear.
The radio turns to sleep mode and will shut off in 90 minutes.
2. When the sleep time is being displayed, press POWER/SLEEP (1) can set the shut-off time in the order 90-80-70-60-50-40-30-20-10- turn off sleep function..
3. After 4 seconds, the screen will display the frequency. The radio will turn off at the preset time.

4. You may still turn off the radio earlier by press the POWER/SLEEP button (1)

Specifications :

1. Frequency Range
 - FM 87.5-108 MHz
 - FM 1 76-98 MHz
 - AM 520 - 1620 KHz
2. Memory preset (30)
 - FM- 10 , FM1- 10 , AM- 10
3. Noise Limit Sensitivity
 - FM $\leq 20\mu\text{V}$
 - AM $\leq 5\text{mV/m}$
4. Single Signal Selectivity $\geq 10\text{dB}$
5. Power : 2 x AAA batteries or 3V D.C.
6. Maximum power consumption : 150mA
7. Speaker : 45mm/6ohm/0.5W
8. Earphone jack : 3.5mm 32ohm
9. Measurement : 100 x 62 x 20 mm
10. Weight : 110g (excluding batteries)