

TERMINATIONS

SMA, Conduction Cooled, DC - 18 GHz, 50 Watts



SPECIFICATIONS:

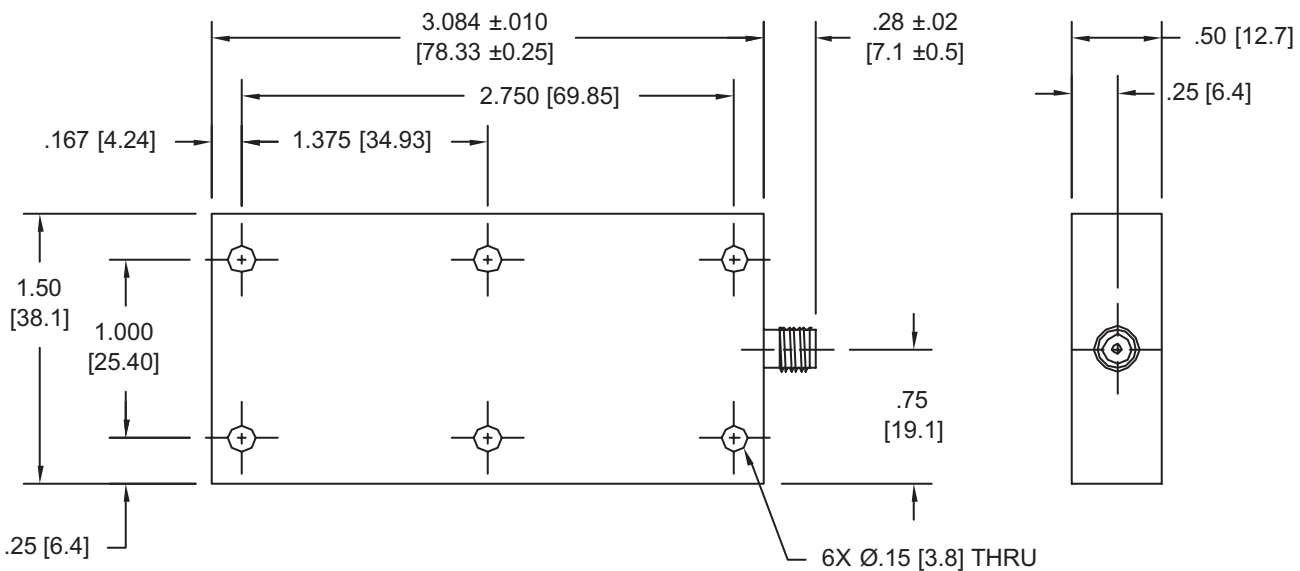
Models: 3060M, 3060F

Electrical:	
Frequency Range _____	DC - 18 GHz
VSWR	
DC - 6 GHz _____	1.25:1 Max.
6 - 12.4 GHz _____	1.35:1 Max.
12.4 - 18 GHz _____	1.45:1 Max.
Power Handling*	
Input _____	50 Watts Avg.
Peak	
DC - 12.4 GHz _____	1000 Watts Max.
12.4 - 18 GHz _____	500 Watts Max.
Impedance _____	50 Ohms
Temperature Range	
Non-Operating _____	-55°C to +125°C
Operating _____	-40°C to +70°C
Mechanical:	
SMA Connectors _____	Passivated Stainless Steel
<small>Mates with MIL-STD-348</small>	
Conductors _____	Gold Plated Beryllium Copper
Housing _____	Alodined Aluminum

* Power handling capacity is dependant upon proper heatsinking. Surface temperature of unit shall not exceed 125°C for specifications shown.

Model Number: **3060M**
SMA Male Connector
Length: .42±.02 [10.7 ±0.5]

Model Number: **3060F**
SMA Female Connector
Length: .28±.02 [7.1 ±0.5]
Pictured



Note: Dimensions in Brackets are Expressed in Millimeters and are for Reference Only.

3060: REV F



Aeroflex / Inmet, Inc. • 300 Dino Drive, Ann Arbor, MI 48103 • U.S.A.
888-244-6638 or 734-426-5553 • FAX: 734-426-5557
www.aeroflex-inmetcorp.com • sales@aeroflex-inmetcorp.com